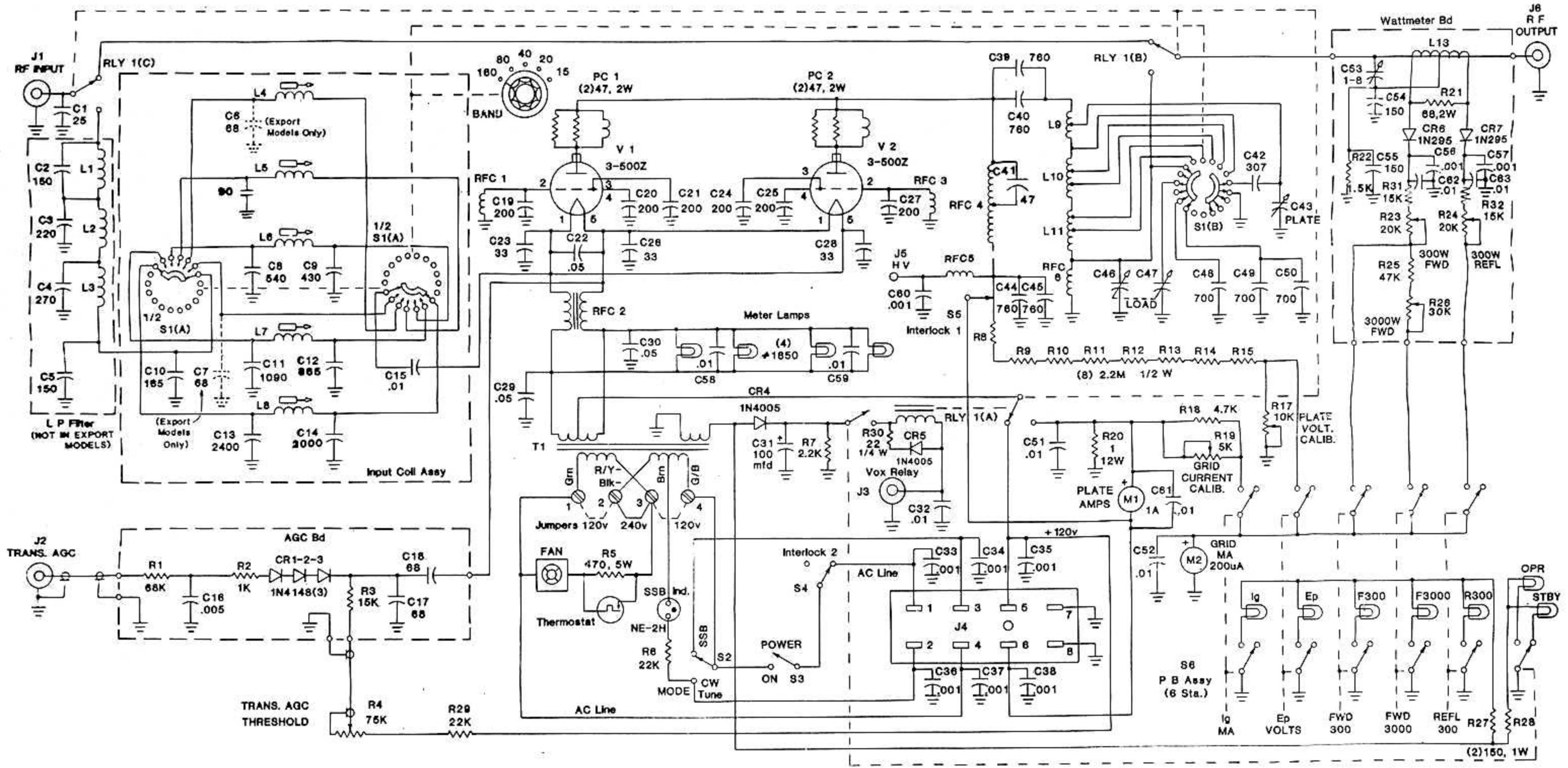


Component Locations

R	1	2	3	29	5	6	7	30	8	9	10	11	12	13	14	18	15	17	22	25	23	21	24	32	27
C	1 3 5	10 16	7 8 13	12 14 9	15 17 18	19 23	20 29	22 26 30 21	5 8 24	25 31	59 28	27 32 60	34 35 39 41 45	46 47	61 52	48 42 43	49 50	55 54	62 56	63 57					
L	1 3 2		4 6 8									9 11											13		



301800801

NOTE
Capacitors marked 1.0 to 2400 are in pf, and Capacitors marked .001 to .1 are in mfd unless otherwise noted.

Max - EA1DD0 1998.

Dwg #D4788

Fig. 5-5 Model L7 Linear Amplifier Schematic Diagram